

REV FLEX 4

SPECIFICATION SHEET
STATIC WHITE

REVOLUTIONARY ADJUSTABLE DOWNLIGHTS

Housing

Aperture : Ø3.7" | Height : 6.46" | Weight : 2.46 lbs
Maximum Ceiling Thickness : 1" | Ceiling Cutout : 4.1"

Material

Housing : High Pressure Die-Cast Aluminum
Optics : Aluminum Reflector

Power Input

15W, 20W, 40W | 120V, 277V

Lumen Output

1,040 lm (15W), 1,540 lm (20W), 3,080 lm (40W)

Dimming

Superior 0-10V : dims to 1%, dims to dark
TRC : Line-voltage phase control, dims to 1%
DMX : High resolution dims to 0.1%
DALI : Logarithmic dims to 1%

Color Quality

CRI 85, CRI 93

Rated Life

> 100,000 Hours (L70)

Bezel Finish



Matte
Black



Matte
White



Matte
Silver

Trim Finish



Matte
Black



Matte
White

Color Temperature



2700K



3000K



3500K



4000K

Optics



20°



40°



50°

Adjustability



0°-30°
Tilt



0°-359°
Rotation

Warranty

5 Year limited warranty

Listing



Quiet . Adjustable. Color Changing.

The new REV Flex series is an extension of Meteor's revolutionary downlights with an adjustable factor. Coming in a range of 2", 4" and 6" apertures. The REV Flex series feature 359° rotation, 30° tilt, and a variety of architectural illumination options.

All REV Flex configurations are Title 24 listed, and compatible with our proprietary high efficacy Archi-Color® color changing technology W+RGB. Also features built-in Flicker-Free video recording with our VX™ Driver.



METEOR

meteor-lighting.com

SPECIFICATION

PROJECT NAME

DATE

CATALOG #

QUANTITY

The product configurator function on this page works only with the latest version of Chrome or Adobe Acrobat Reader.

<input type="text"/>	MODEL	RF4N REV Flex 4 New Construction	RF4R REV Flex 4 Retrofit	
<input type="text"/>	WATTAGE	15 15W	20 20W	40 40W
<input type="text"/>	BEZEL TYPE	A Adjustable Bezel	F¹ Fixed Cut-off Bezel	W² Wallwash Bezel
<input type="text"/>	CCT / CRI	278 2700K / CRI 85 309 3000K / CRI 93 408 4000K / CRI 85	279 2700K / CRI 93 358 3500K / CRI 85 409 4000K / CRI 93	308 3000K / CRI 85 359 3500K / CRI 93
<input type="text"/>	VOLTAGE	120 120V	277 277V	
<input type="text"/>	DIMMING	NOD Non-Dimming DALI DALI dims to 1%	SPV Superior 0-10V dims to 1%, dims to dark DMXP DMX dims to 0.1% (Phoenix Connector)	TRC³ Line-voltage phase control, dims to 1% DMXR DMX dims to 0.1% (RJ45 Sockets)
<input type="text"/>	TRIM TYPE	Standard R Round	S Square	
		Remote Power Box Only		
		SF⁴ Square Flangeless	RF⁴ Round Flangeless	
<input type="text"/>	TRIM FINISH	BLK Matte Black	WHT Matte White	
<input type="text"/>	BEZEL FINISH	BLK Matte Black	WHT Matte White	SLV Matte Silver
<input type="text"/>	BEAM ANGLE	20 20°	40 40°	50 50°
<input type="text"/>	ACCESSORIES	HC⁵ Hex Cell Louver RM50⁷ Remote Power 50ft	GR5⁶ Goof Ring 4"-5.8"	RM25⁷ Remote Power 25ft

CLEAR FORM

¹ Fixed Cut-off Bezel is not compatible with 40W, HC
² Wallwash bezel are always silver in color and only compatible with 50°
³ TRC must be specified with 120V
⁴ Flangeless trims are always white in color
⁵ HC option reduces delivered lumens by ~25%, and HC is not compatible with 40W
⁶ GR5 is not compatible with RF4N, S, SF
⁷ Mount remotely in an accessible location for maintenance

TECHNICAL DETAILS

Electrical

- 1,040 lm (15W), 1,540 lm (20W), 3,080 lm (40W)
- Power Input : 120V or 277V
- Operating Temperature : 14°F~104°F

LED Features

- Color Temperature : 2700K, 3000K, 3500K, 4000K
- CRI 85, CRI 93
- Long lasting LED luminaire tested under TM21 lumen maintenance L70 @ 100,000 Hrs

Optics

- Precision molded high transmittance clear PC lens
- Beam Angle : 20°, 40°, 50°

Advanced Dimming

- Proprietary VX Driver™ is integrated across all dimming options, delivering video flicker-free performance and full compliance with IEEE 1789.
- Superior 0-10V : dims to 1%, dims to dark
- TRC : Line-voltage phase control, dims to 1% (120V only)
- DMX : High resolution dims to 0.1% (Supports ANSI E1.20 RDM protocol)
- DALI : Logarithmic dims to 1%

Housing

- Aperture : Ø3.7"
- Height : 5"(15W, 20W), 6.06"(40W), 6.46"(40W Fixed Cut-off Bezel)
- Weight : 2.46 lbs (New Construction), 1.96 lbs (Retrofit)
- Ceiling Cutout : 4.1" (New Construction), 4" (Retrofit)
- Maximum Ceiling Thickness : 1"
- Material : High Pressure Die-Cast Aluminum, Glass, Aluminum Reflector
- Non-IC Rated, insulation must be kept >0.5ft from housing
- Light engine, optics, and driver(s) accessible from below ceiling
- For flangeless installations, driver must be remote-mounted in an accessible ceiling cavity.

*Note : C-Channel / Mounting Channels / T-Bar Hangers are purchased from a third party

Warranty

- 5-year limited warranty

Listing

- ETL
- CE
- FCC
- JA8 Title 24 Compliant

PERFORMANCE SUMMARY*

Delivered Lumens				
CCT/WATTAGE	2700K	3000K	3500K	4000K
15W	920lm	980lm	1,000lm	1,040lm
20W	1,280lm	1,350lm	1,440lm	1,540lm
40W	2,550lm	2,690lm	2,880lm	3,080lm

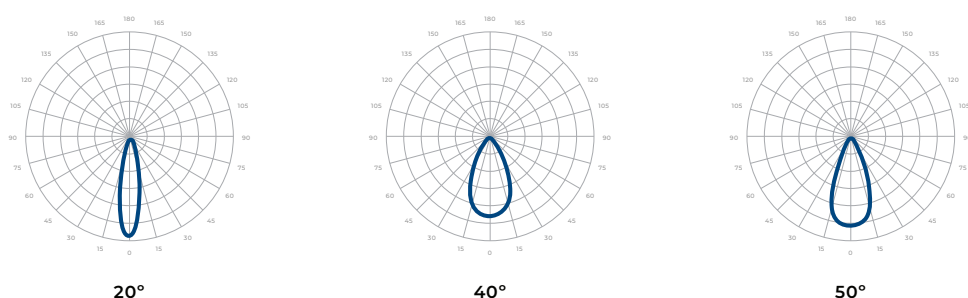
Current Consumption		
WATTAGE / VOLT	120V	277V
15W	0.13A	0.06A
20W	0.17A	0.07A
40W	0.4A	0.15A

*Beam Angle: 50° *Tolerance ±8%

*For specifications requiring a CRI of 93, apply a 0.8 multiplier to the lumen output values listed.

PHOTOMETRICS

Below is a typical photometric representation of the Rev Flex 4 fixture. Please download IES files to ensure exact photometric value.

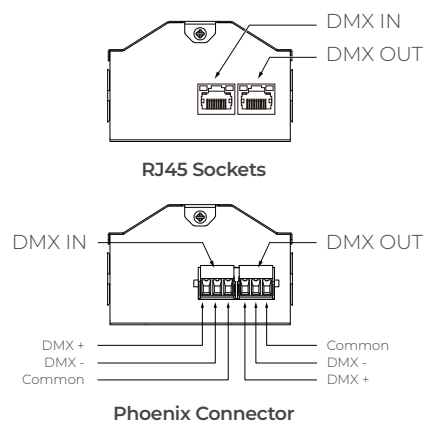


DMX REQUIREMENTS

The REV Flex 4 fixture with DMX is a **single channel dmx** unit. When placing an order, please indicate DMX address. (The DMX address will be listed on the back of the fixture). Do not connect more than 32 fixtures per DMX daisy chain.

The fixture can be connected with RJ45 Sockets or Phoenix Connector. DMX cables **are not** included; please refer to compatible DMX cabling list for more information. The final fixture on each daisy chain should be terminated by the use of a DMX terminator purchased from a 3rd party or from Meteor.

CONNECTION	RJ45 (CAT5e)
Common	WHITE/BROWN(PIN7) & BROWN (PIN 8)
Signal -	ORANGE (PIN 2)
Signal +	WHITE/ORANGE (PIN 1)
Spare	-
Spare	-



COMPATIBLE DMX CABLING LIST

DMX uses a cable consisting of two twisted pairs plus a shield to carry data. The cable must be specifically impedance matched for the digital DMX signal, meaning that microphone cable or other non-rated cable **must not be used to carry DMX**. Network cable (Cat5, 5e or 6 cable) may be used to carry DMX in an installation; however special consideration must be given to shielding and termination. Under no circumstances should solid core cable like Cat5 be terminated into a screw down connector.

Meteor recommends the use of Belden 9729 or Belden 9841 for DMX installation. Belden 9729/9841 is a shielded twisted pair cable, which allows for a spare pair for 'out and back' type terminations if needed.

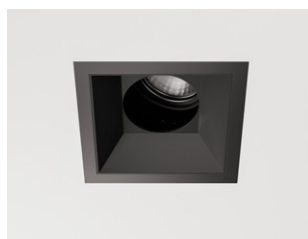
TRIM TYPES



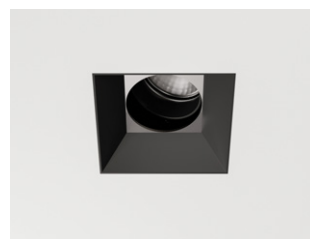
Round Trim



Round Flangeless Trim

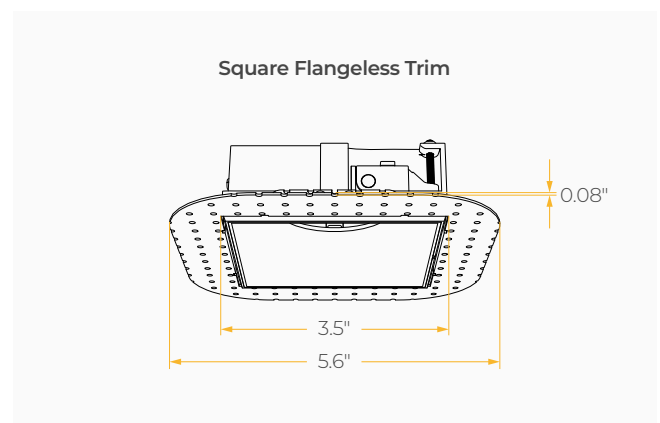
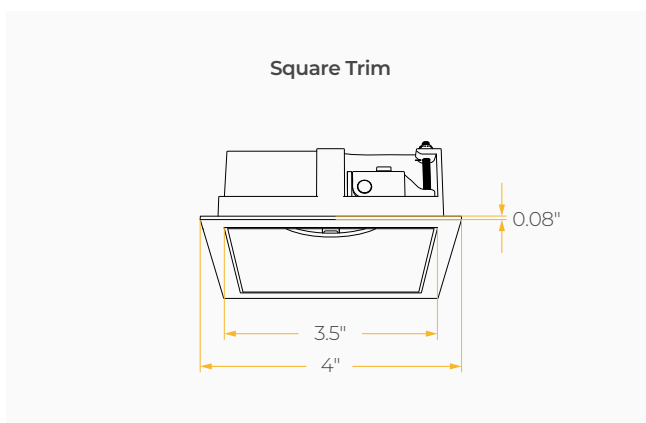
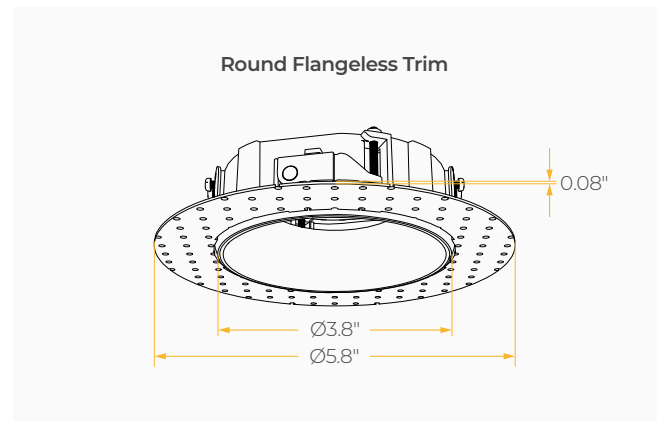
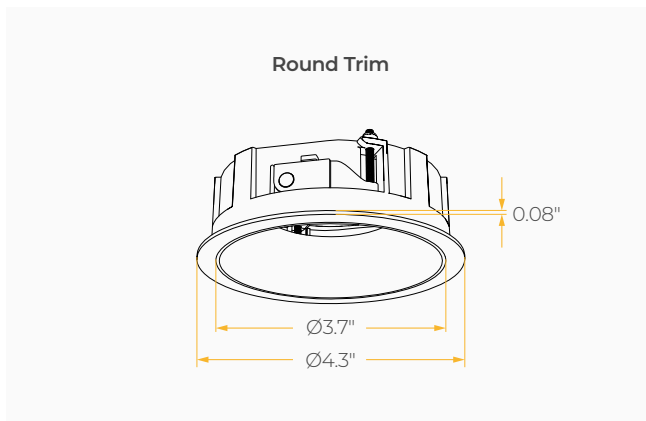
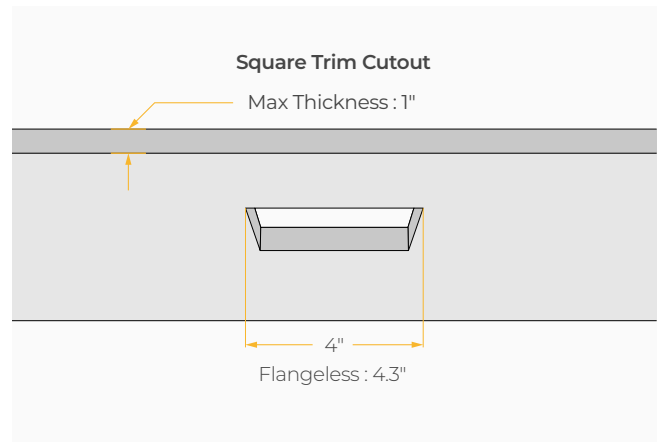
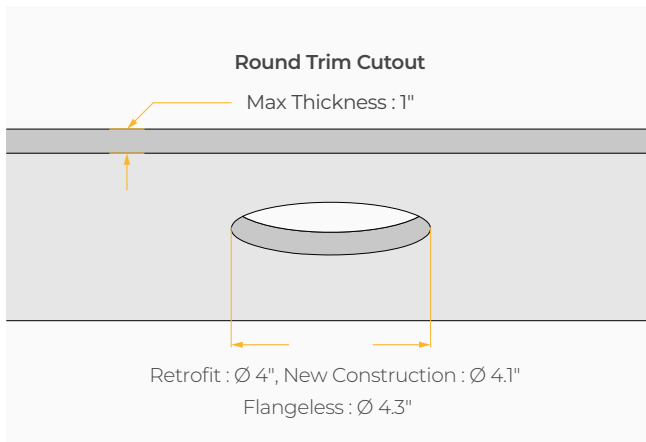


Square Trim



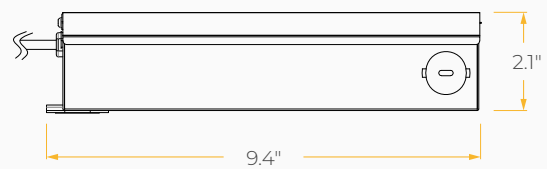
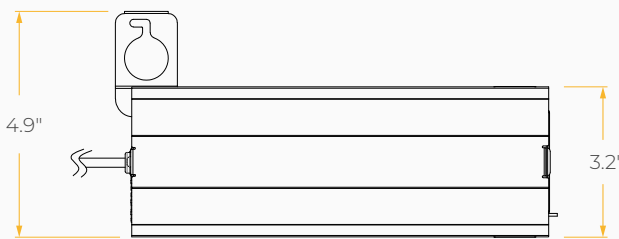
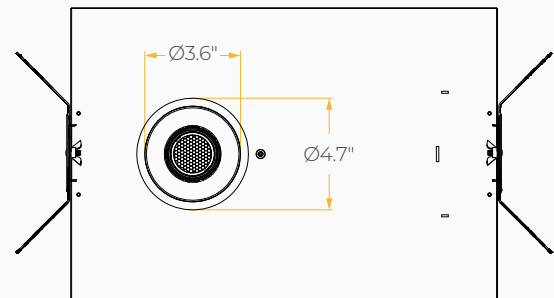
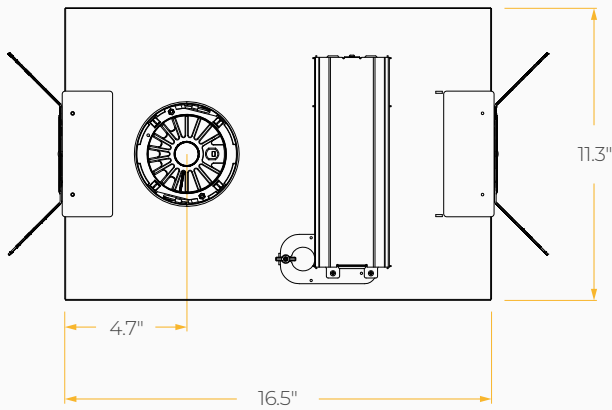
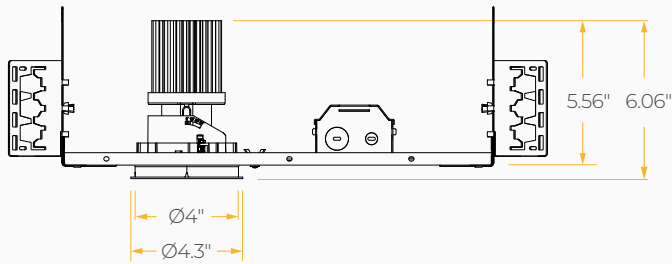
Square Flangeless Trim

DIMENSIONS

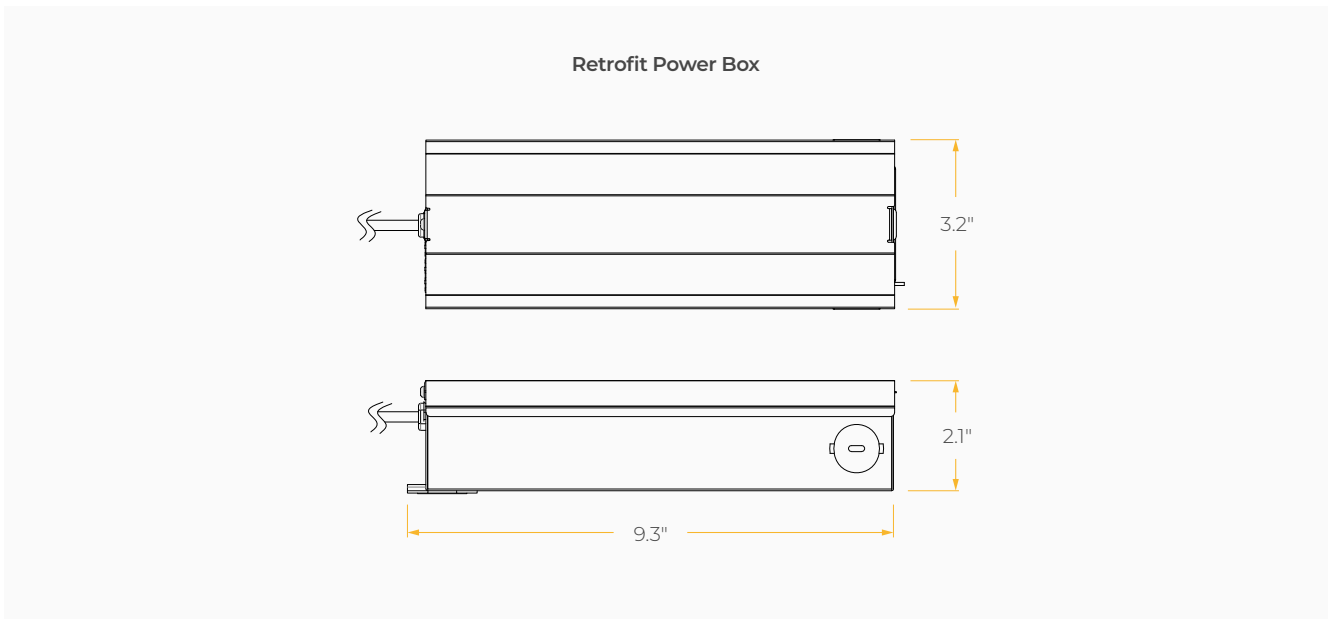
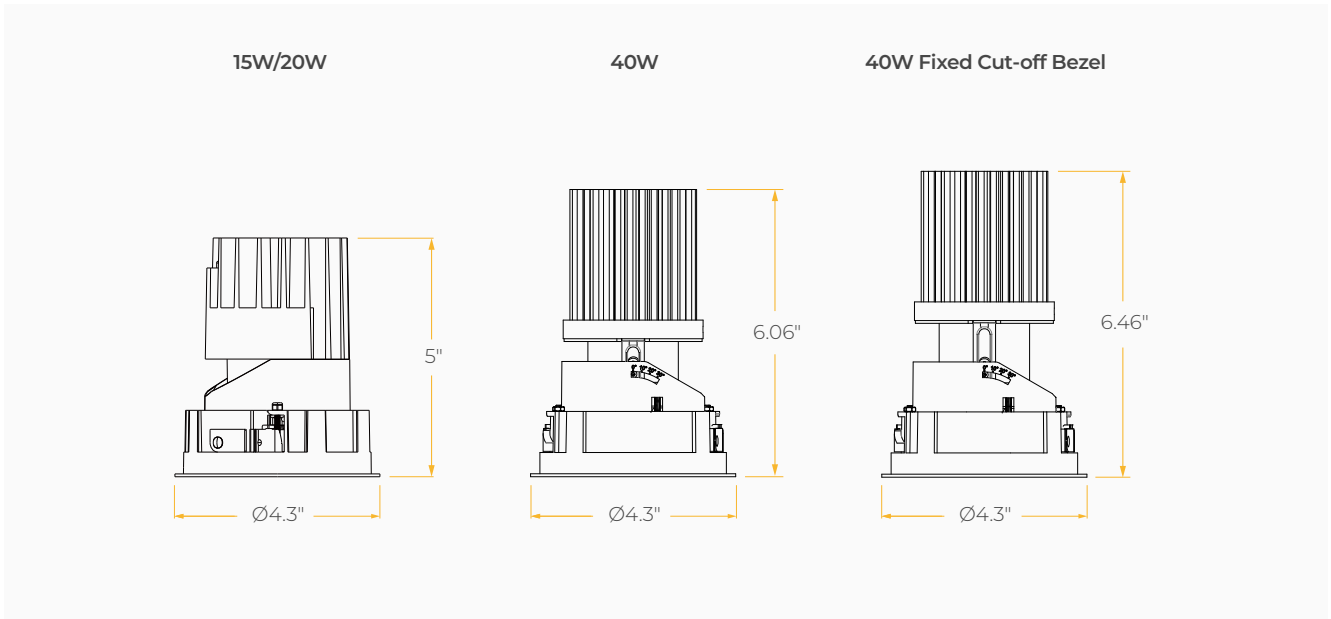


DIMENSIONS

New Construction

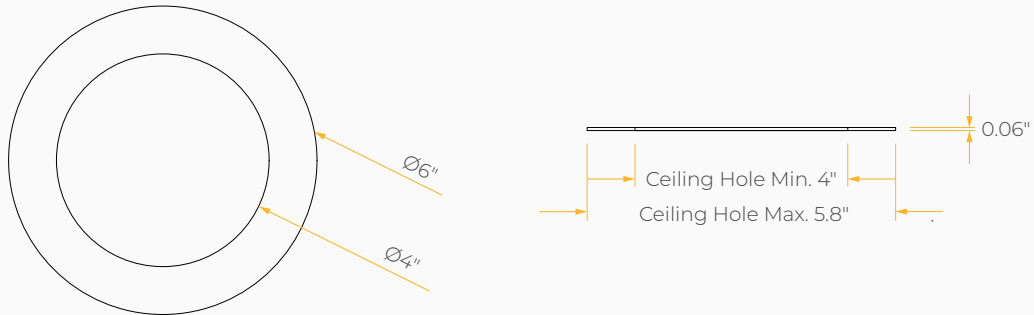


DIMENSIONS



DIMENSIONS

Goof Ring 5"



Remote 25/50 ft

